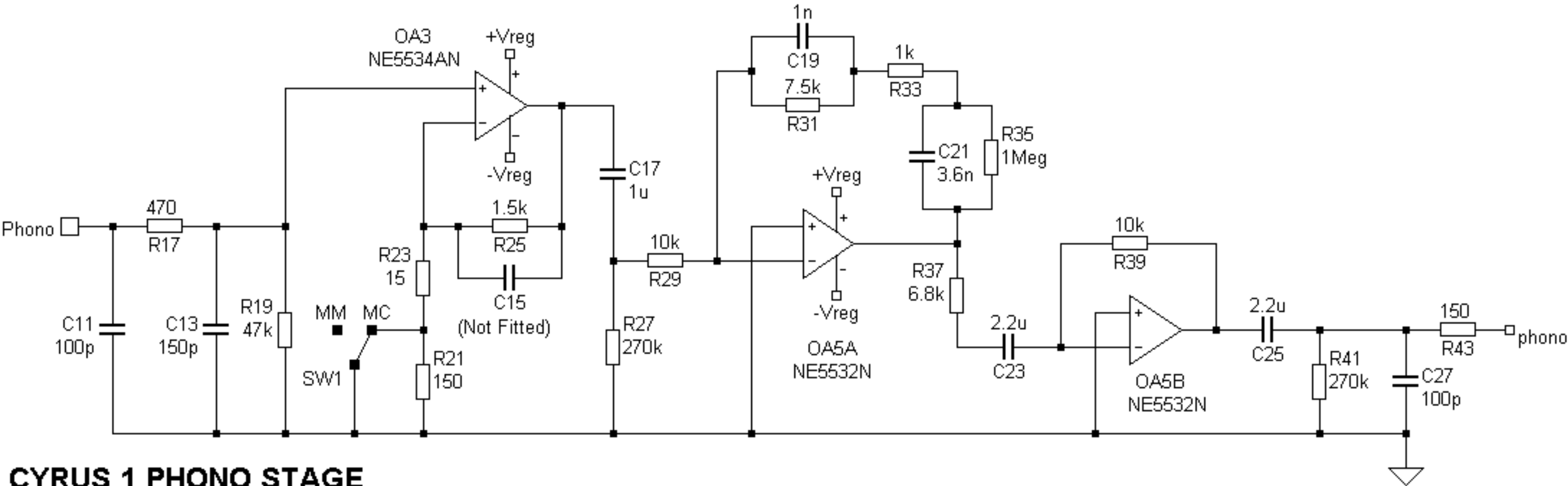
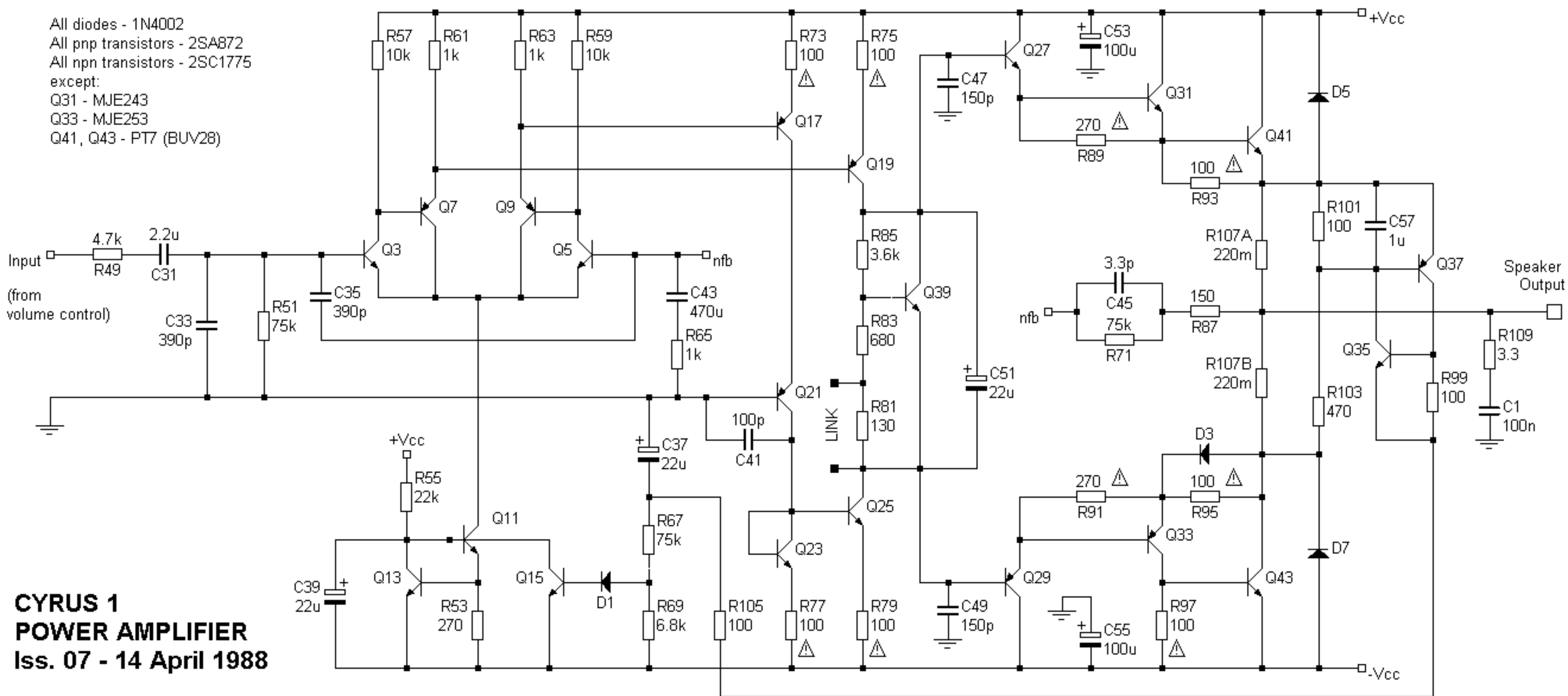


CYRUS 1 INPUT SWITCHING & VOLUME CONTROL



CYRUS 1 PHONO STAGE

All diodes - 1N4002
 All pnp transistors - 2SA872
 All npn transistors - 2SC1775
 except:
 Q31 - MJE243
 Q33 - MJE253
 Q41, Q43 - PT7 (BUV28)



**CYRUS 1
 POWER AMPLIFIER
 Iss. 07 - 14 April 1988**

